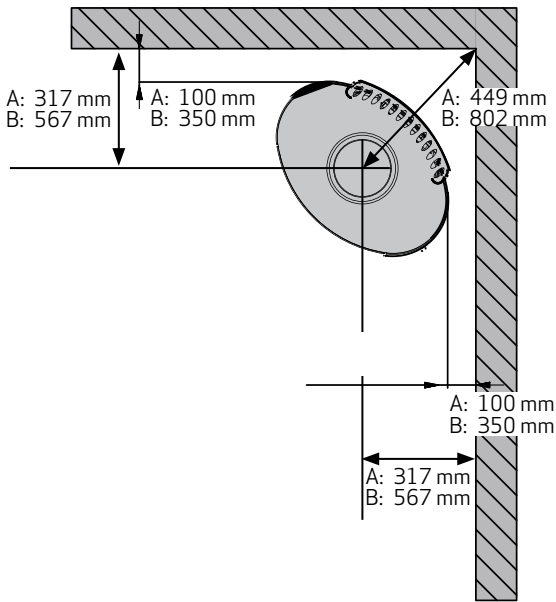
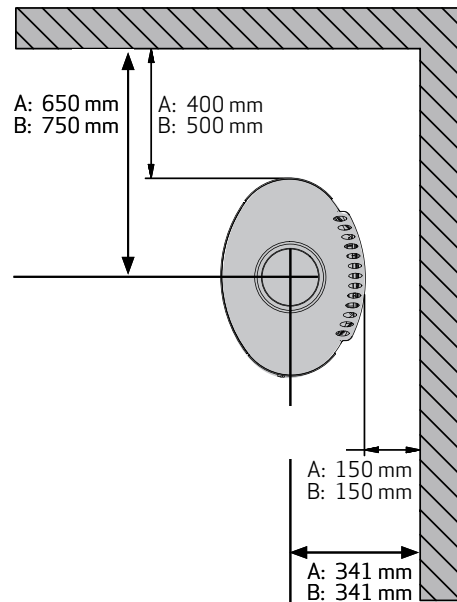


DISTANCE TO FLAMMABLE MATERIALS, SHOWN WITH **UN-INSULATED** FLUE PIPE

45° Corner installation



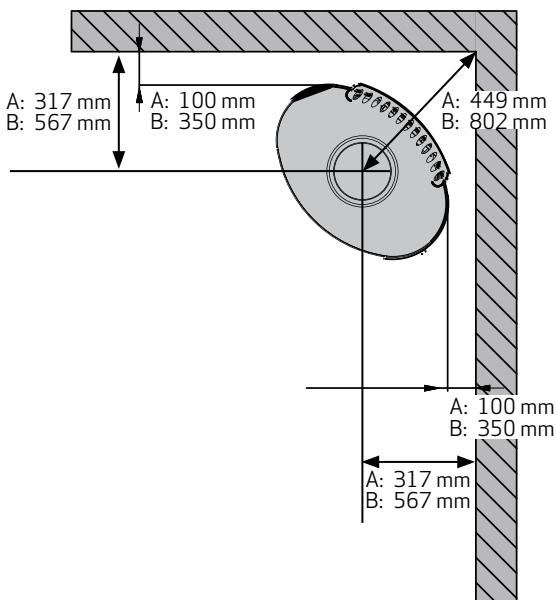
Parallel rear wall installation



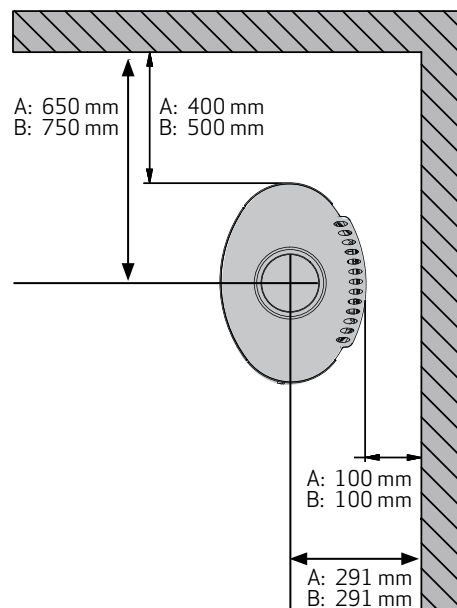
DISTANCE TO FLAMMABLE MATERIALS, SHOWN WITH **INSULATED** FLUE PIPE

These distances apply for an insulated flue pipe all the way down to the stove.

45° Corner installation



Parallel rear wall installation

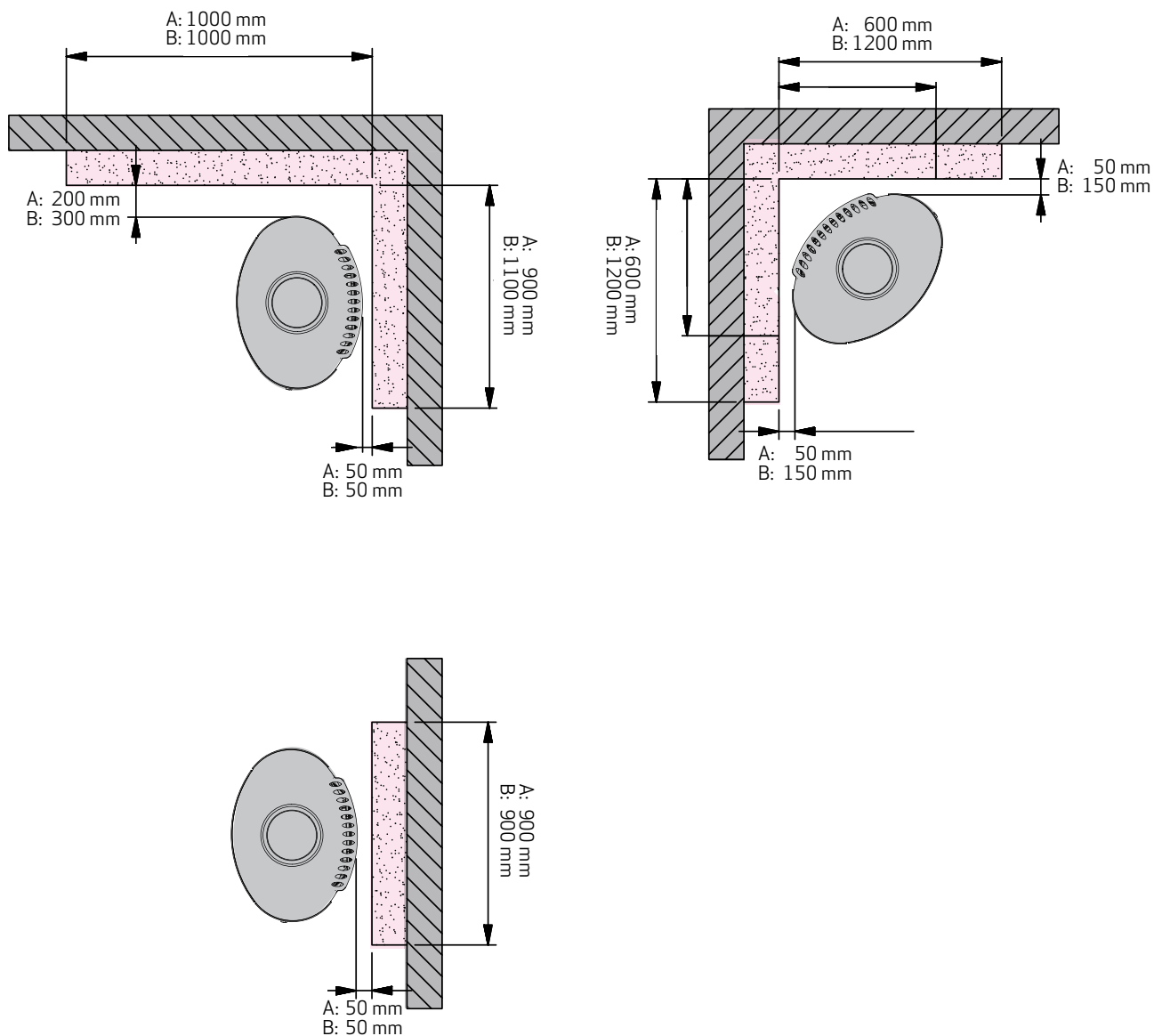


A = Without side windows
B = With side windows

DISTANCE TO FIREWALL

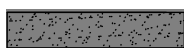
110 mm brick, 50 mm JØTUL Firewall or other material with a corresponding insulation ability.

The indicated distances are valid for insulated as well as un-insulated smoke pipes.



A = Without side windows
B = With side windows

Firewall:



Flammable material

