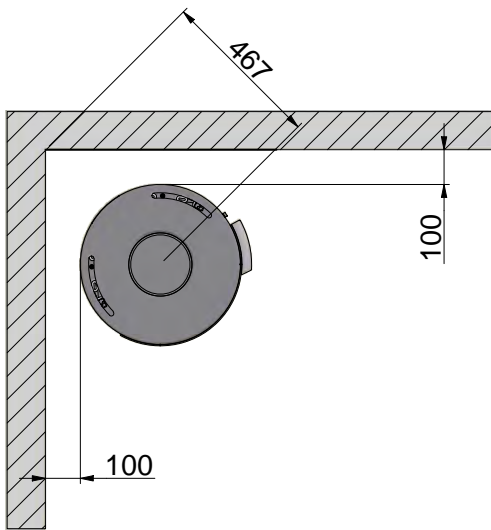


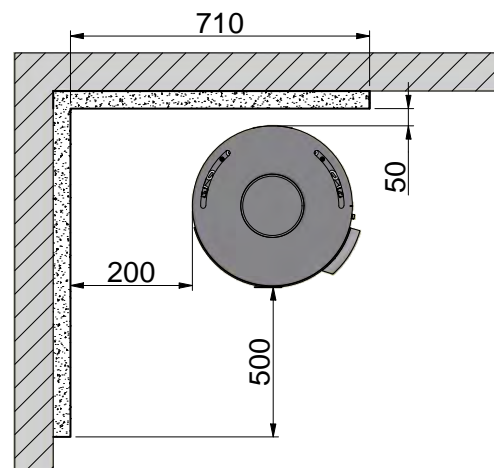
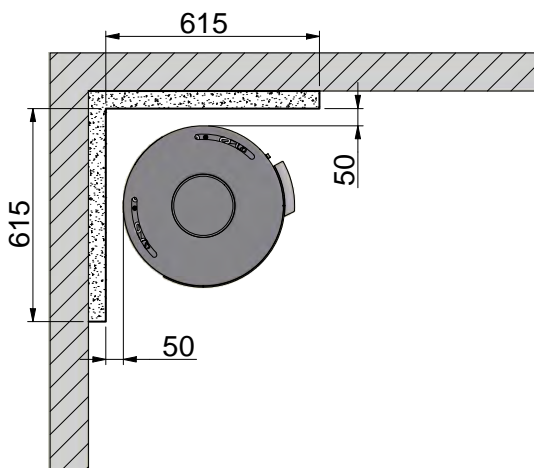
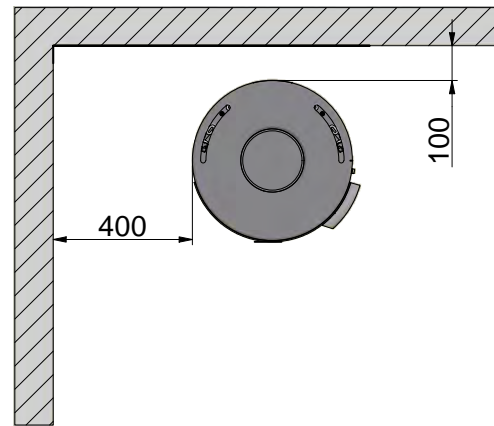
## SETTING DISTANCE

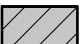
These distances apply for an uninsulated flue pipe/insulated flue pipe, all the way down to the stove.

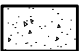
45° Corner installation



Parallel rear wall installation



 Flammable material

 Fire wall, e.g. 50 mm Jøtul Firewall, 110 mm brick or other material with corresponding fireproof and insulating abilities

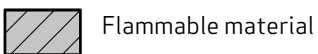
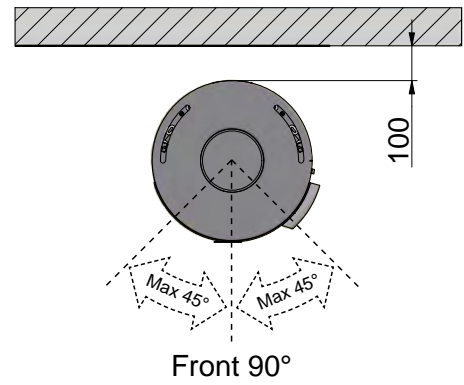
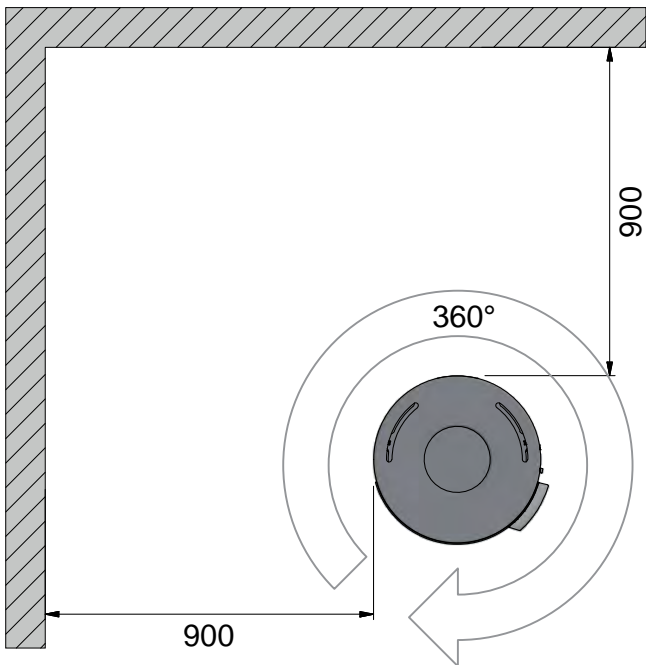
All distances are in mm

All distances are minimum distances

## INSTALLATION WITH ROTATING BASE (ACCESSORY)

To ensure optimum function of the rotating solution for the stove, it is important that assembly be performed in a meticulous fashion by a qualified fitter.

See the separate instructions supplied with the rotating base.



All distances are in mm

All distances are minimum distances