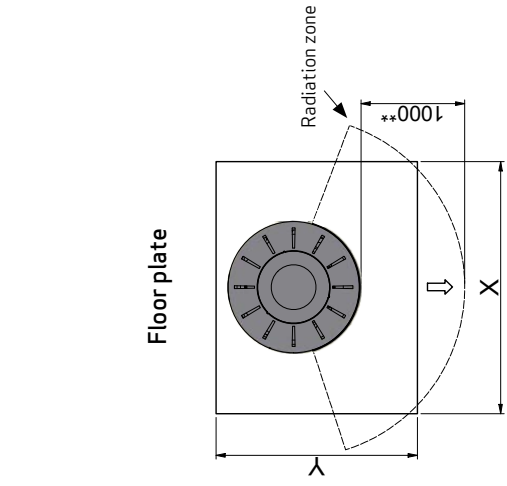
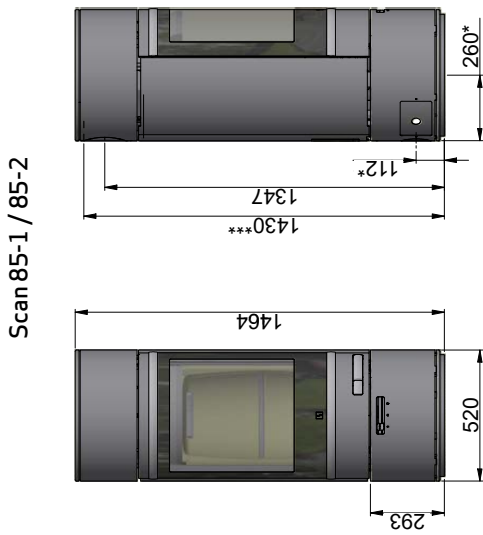
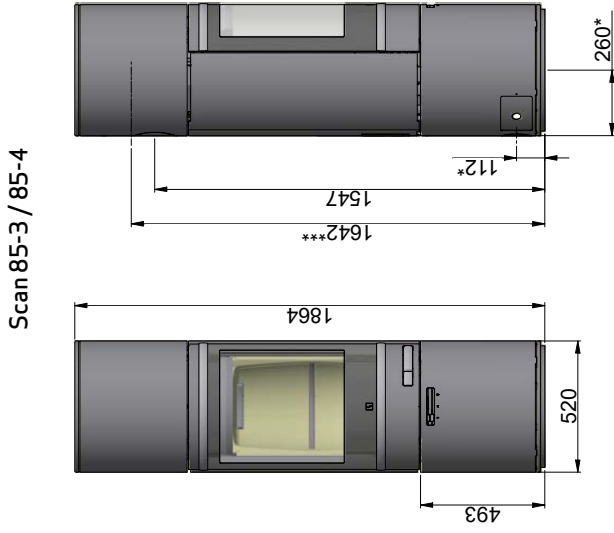
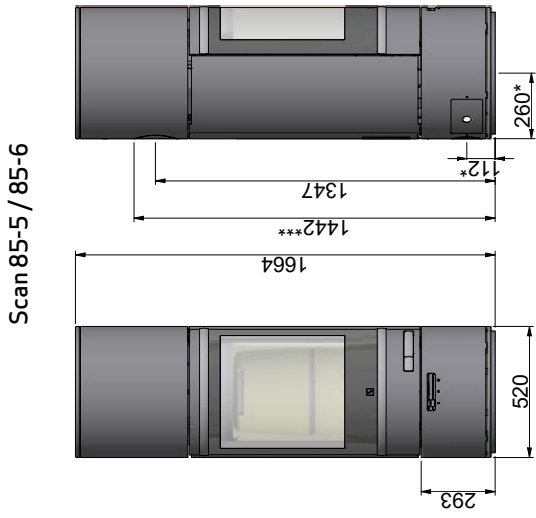
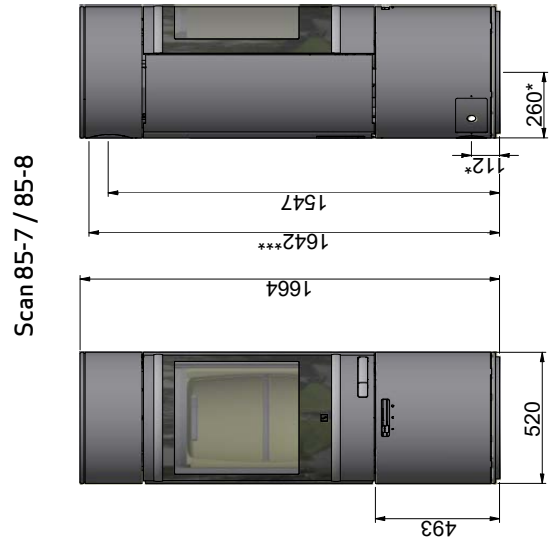


DIMENSION SKETCH AND MINIMUM DISTANCES



X / Y according to national laws and regulations



All distances are in mm.  
 All distances are minimum distances  
 \* Connection of fresh-air intake - external diameter  $\varnothing$  100 mm  
 \*\* Min. distance to furniture/flamable material  
 \*\*\* Height to the beginning of flue connecting piece at top outlet